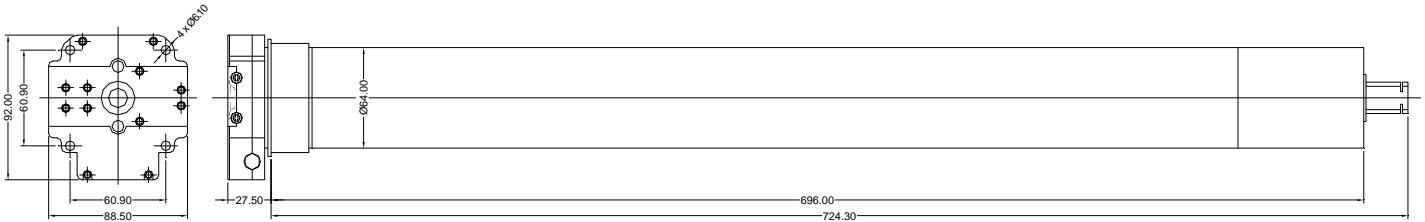
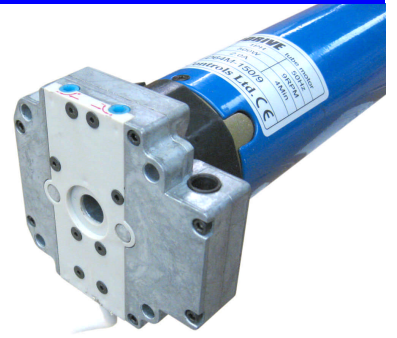


EURODRIVE 150 Through Drive Override

- 230V 50Hz Single phase motor.
- Supplied complete with limit adjuster tool.
- Through drive override.
- Tube adaptors to suit 4"16swg & 4"9swg.
- Specifically designed to suit continental shutters.
- From 29mm offset (including mounting bracket).



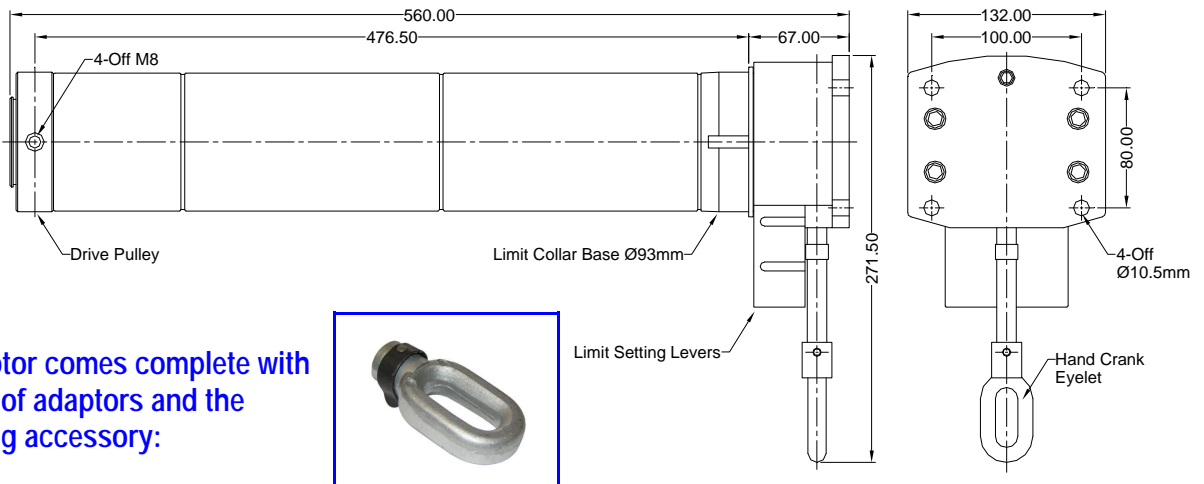
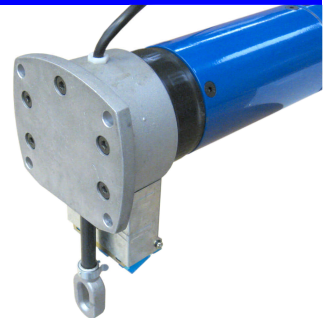
This motor comes complete with one set of adaptors and the following accessories:



Technical Data	Torque	Power	Current	Voltage	RPM	Lifting Capacity
150 M/O	150 Nm	500 W	2.0 A	230V 50Hz	9/min	225kg Ø 100mm

JK 100 Direct Drive Override

- 230V 50Hz Single phase motor.
- Easy set 'Flick-Switch' limit adjusters.
- Integral thermal trip.
- Permanently engaged direct drive override.
- Tube adaptors from 4"16swg to 5"10swg.
- 65mm offset (does not require mounting bracket).



This motor comes complete with one set of adaptors and the following accessory:



Technical Data	Torque	Power	Current	Voltage	RPM	Lifting Capacity
100/230	230 Nm	870 W	3.8 A	230V 50Hz	12/min	350kg Ø 100mm