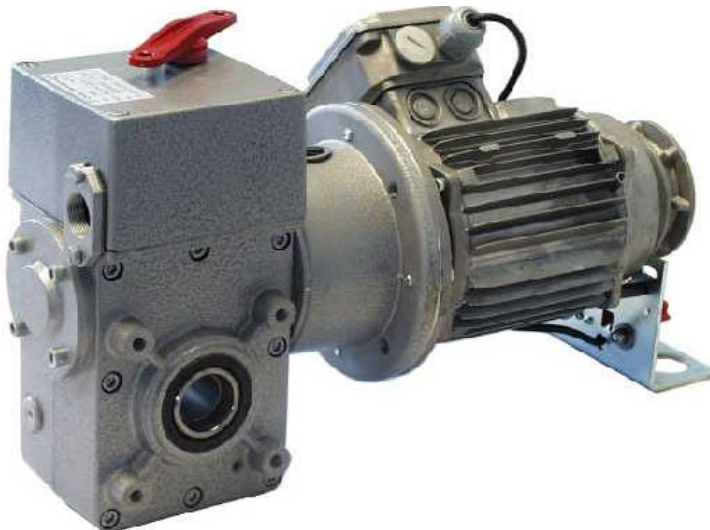


TVRF / TVRFC Range

Hollow Shaft Operators for Sectional Overhead Doors.



Product Features & Description.

- * Integral Thermal Protection.
- * I.P. 54 Environment Protection.
- * Phosphor Bronze Worm Wheel.
- * High starting Torque—Industrial Duty Motor.
- * Industry Standard 1" Shaft.
- * Option of Integral slipping Clutch.
- * Choice of Manual Overrides.

The TVRF / TVRFC Sectional Door Operator is available in 0.37, 0.55 & 0.75 kW power sizes, with 230v Single Phase & 400v Three Phase motor options.

These models can be fitted with a High Level Chain System, Disengage Clutch or Floor Level Chain System, which enables the sectional door to be manually opened & closed when required.

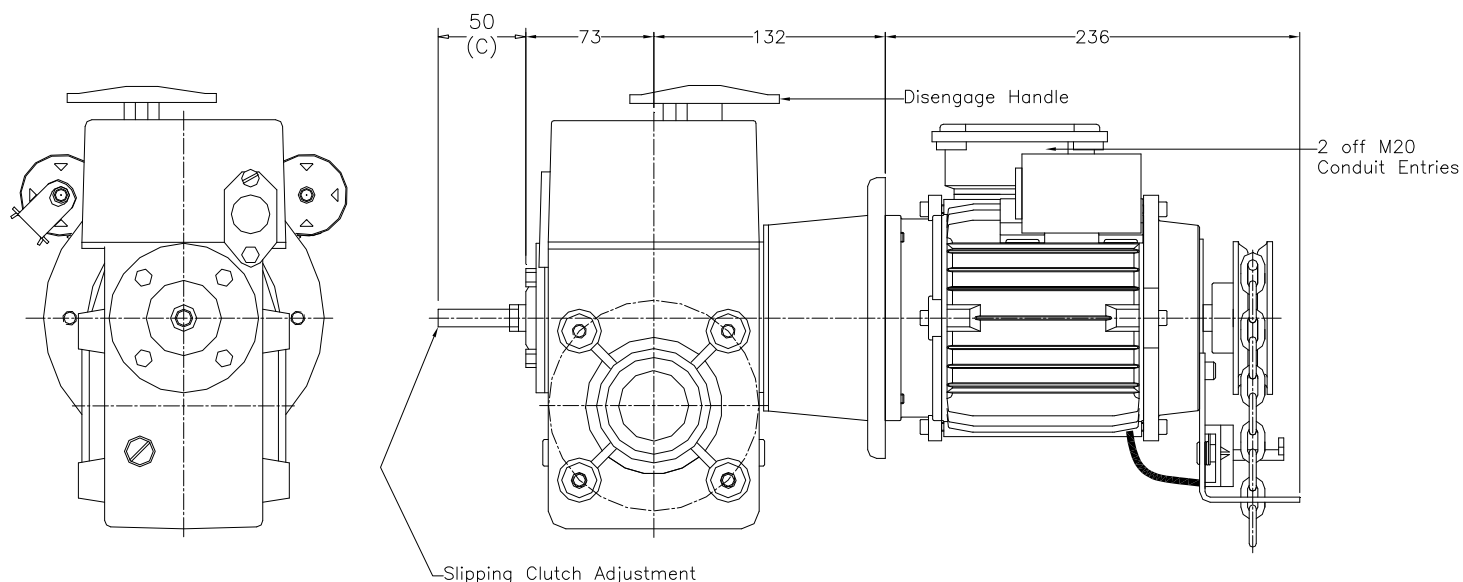
An Adjustable Slipping Clutch (denoted by a 'C') can be provided for additional protection & safety.

Technical Information

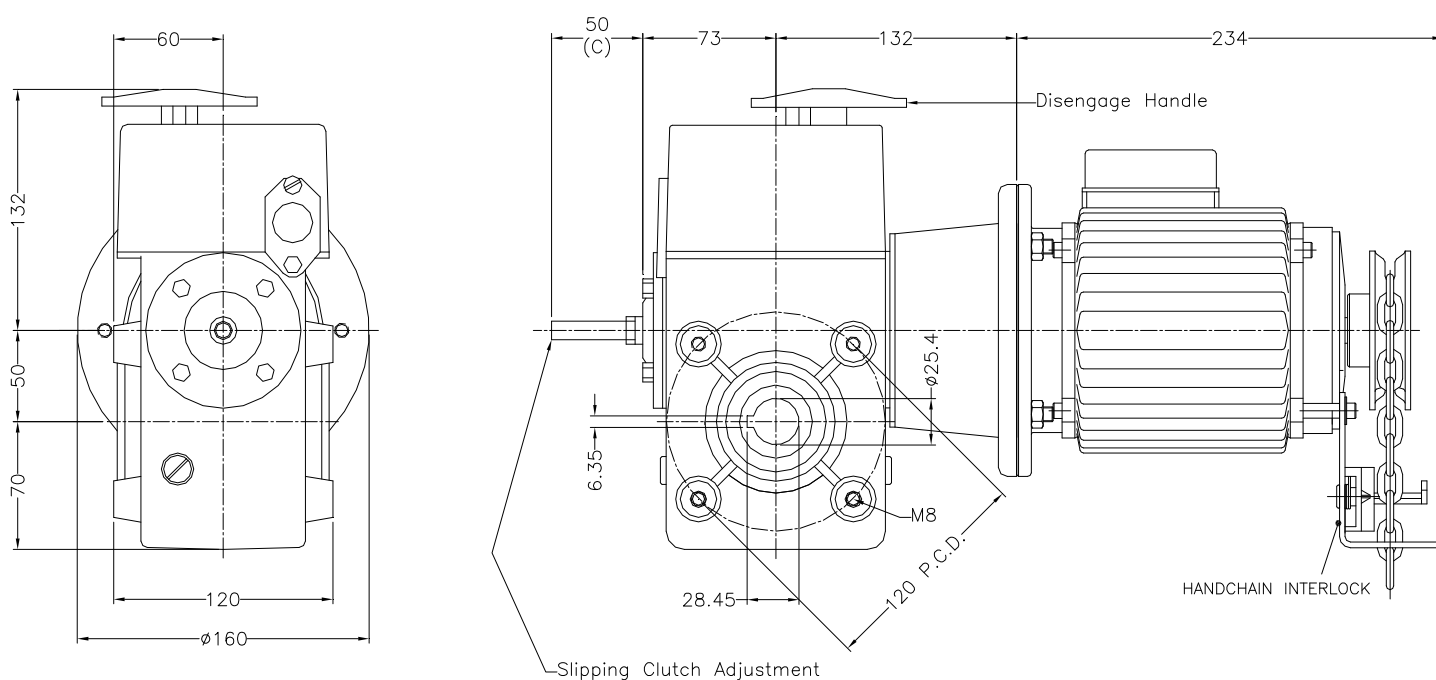
Data \ Type	TVRF / TVRFC-50	TVRF / TVRFC-50/1	TVRF / TVRFC-100
Power (kW)	0.37	0.55	0.75
Torque (Nm)	49	65	130
Output Speed (R.P.M.)	31	31	29
Environmental Protection	I.P.54	I.P.54	I.P.54
Current (Amps)	2.57	2.0	3.1
Power Supply	230v/1ph/50Hz	400v/3ph/50Hz	400v/3ph/50Hz

Please Contact Our Sales Department On 01928 579050 For Further Information

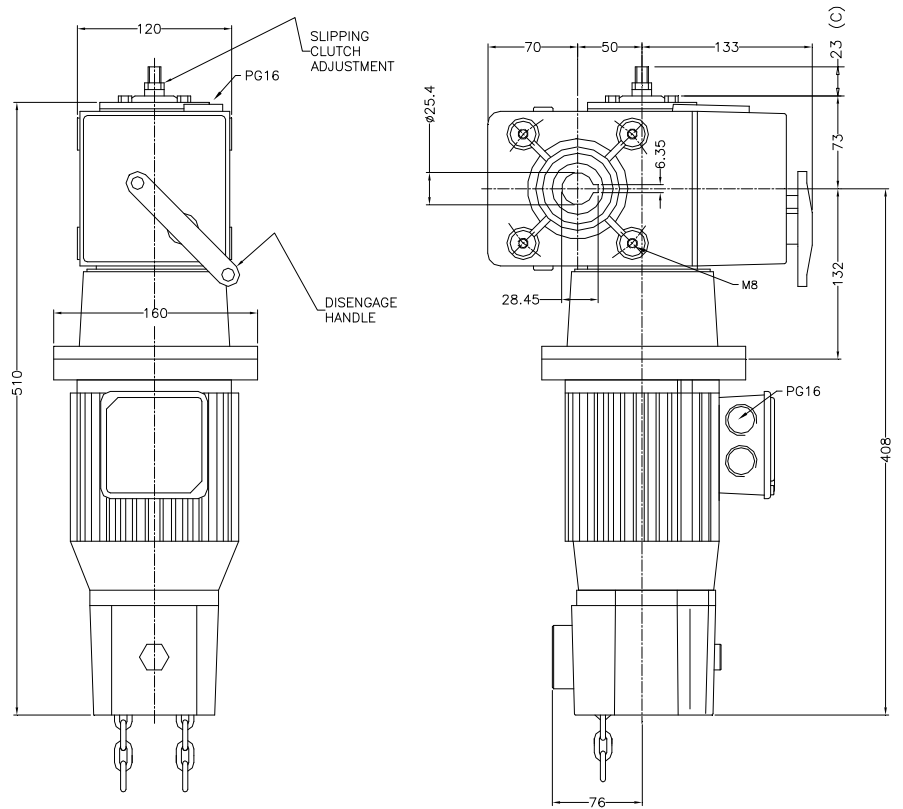
1ph TVRF(C)-50 c/w High Level Hand Chain (Optional Slipping Clutch)



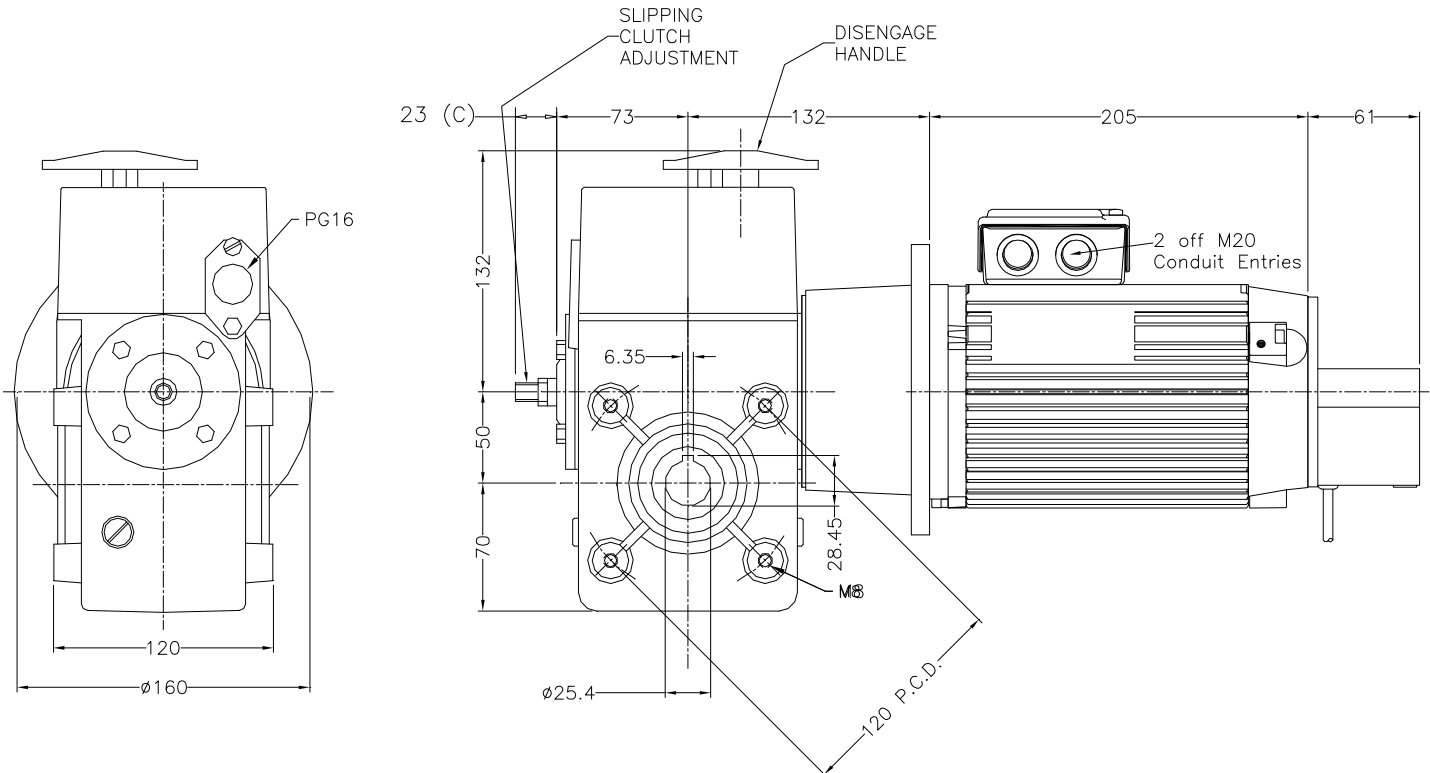
3ph TVRF(C)-50/1 c/w High Level Hand Chain (Optional Slipping Clutch)



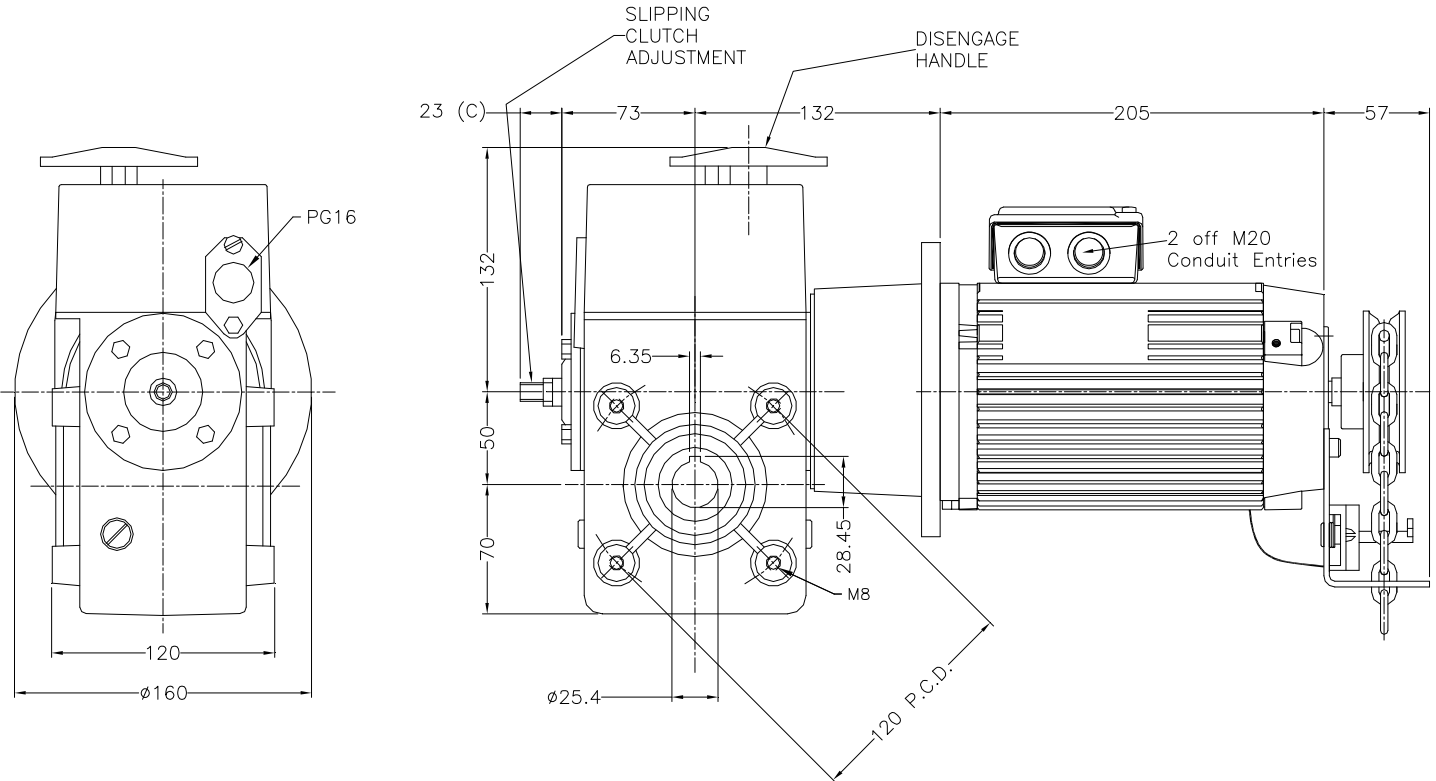
TVRF(C)-50/1 c/w Floor Level Hand Chain
Vertical Mounting Position only
(Optional Slipping Clutch)



TVRF(C)-100 c/w Disengage Clutch (Optional Slipping Clutch)



TVRF(C)-100 c/w High Level Hand Chain - Horizontal Mounting Position only (Optional Slipping Clutch)



TVRF(C)-100 c/w Floor Level Hand Chain - Horizontal Mounting Position only (Optional Slipping Clutch)

